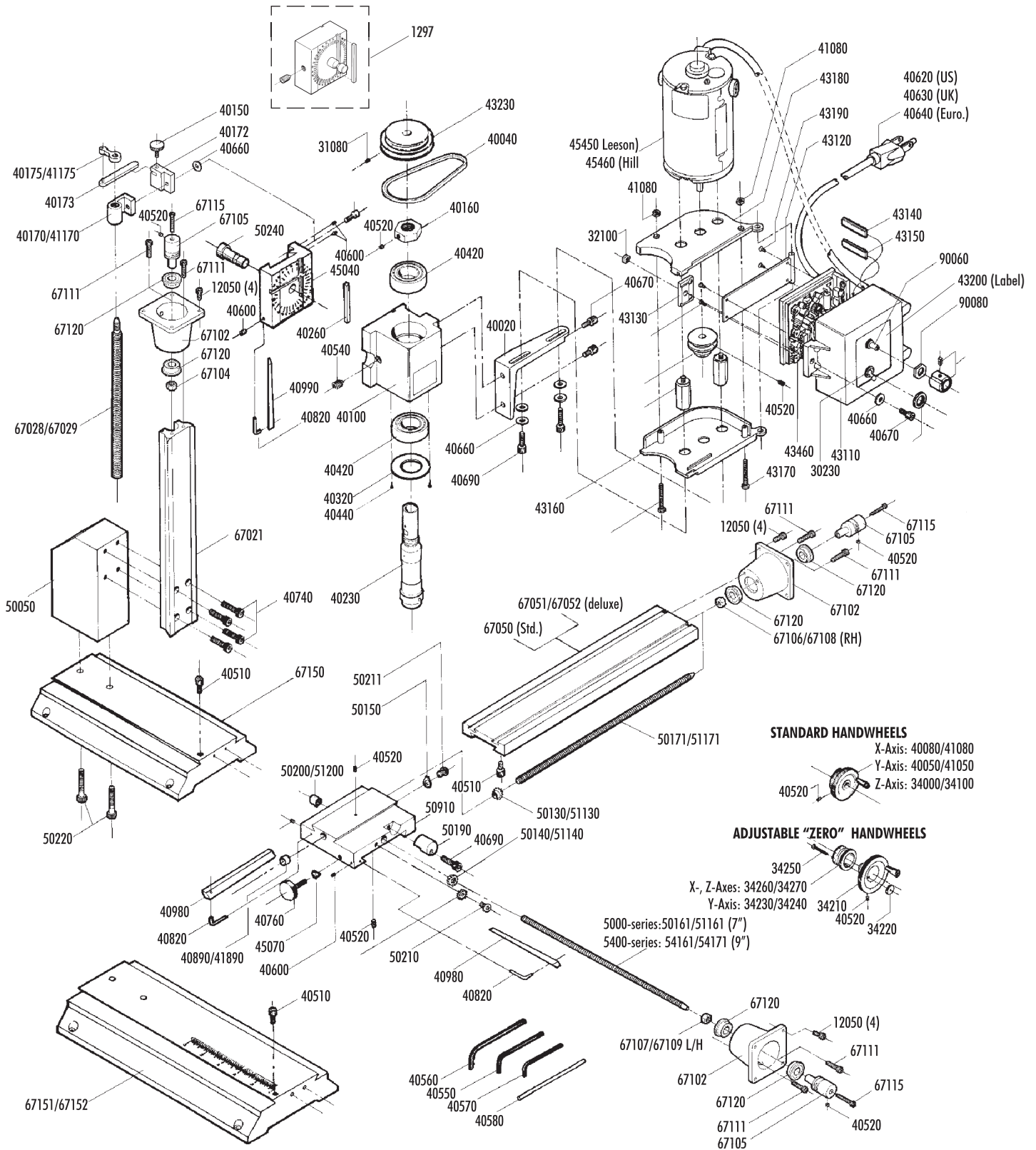


SHERLINE CNC-READY VERTICAL MILLING MACHINES

NOTE: Where different, Inch part number is given first, followed by Metric part number.



STANDARD HANDWHEELS
 X-Axis: 40080/41080
 Y-Axis: 40050/41050
 Z-Axis: 34000/34100

ADJUSTABLE "ZERO" HANDWHEELS
 X-, Z-Axes: 34260/34270
 Y-Axis: 34230/34240
 5000-series: 50161/51161 (7")
 5400-series: 54161/54171 (9")