

# THE CHARIOT™

## Photoetch & Decal Set

PGMS™  
ParaGrafix™  
Modeling Systems

LOST IN SPACE®

## INTRODUCTION

Thank you for purchasing ParaGrafix's this photoetched enhancement set for the Moebius Models Chariot kit (#902). This kit helps bring new realism to Moebius's already fantastic model. If you are unfamiliar with photoetch, please go to [www.ParaGrafix.biz/instructions](http://www.ParaGrafix.biz/instructions) to find our primer on working with photoetched parts.

## Materials

In addition to the photoetch, you will also need scissors or a knife\* to remove individual pieces from the main fret, a file to remove material left from cutting\*\*, and super glue (aka CA or cyanoacrylate). Additionally, to fold some pieces, you will need a pair of razor blades\*\*\* or a specialty tool such as an Etchmate 3C from Mission Models.

\* We prefer a #17 Xacto chisel blade.

\*\* We like Tamiya's diamond file #400.

\*\*\* Extreme care must be taken when using razor blades. Risk of serious injury.

## Raised Detail

Each part of these instructions notes an area where the raised kit detail must be removed. This may be done in whatever way you are most comfortable: sanding, filing, chiseling. Note that in most cases the surface does not need to be perfectly smooth as the photoetched part will replace the "lost" kit detail.

## Lighting Options

Unless otherwise noted, you can prep areas for lighting by removing plastic from areas where there are through holes in the photoetch. You can then backlight the photoetch. For best results, we suggest using Micro Kristal Klear from Microscale Industries ([www.microscale.com](http://www.microscale.com)) to fill the through holes to help the decals lay flat, where applicable.

## Decals

Special instructions for JT Graphics ALPS printed decals are located on separate sheet. Note that you might find it easier to cut some decals to smaller pieces.

## Installation Parts Order

The installation order is merely a suggestion. Proceed with your kit build in the order that makes the most sense to you and your construction style.

## PART 1 - Interior

### Dashboard

Remove the detail from the surface of the dashboard (12) using your favorite method: file, chisel, etc. If you are lighting the dashboard, cut holes where the through holes in the etch will be located.

Attach the etch as shown. The top piece (10) should be centered on the face, while the two front pieces (11 & 12) should be located as shown, closer to the top edge.




### Über-Detailing 1

To make the small, angled console (2) even more accurate, add a 1/16" (1.5mm) piece of plastic card to the top of the kit part to raise the console partway up the dashboard.



### Über-Detailing 2

Add 0.04" (1mm) lengths of 0.02" (0.5mm) plastic rod or stretched sprue to each of the toggle switch locations . Add these pieces after applying the decals.

## Key

Kit part (plastic):

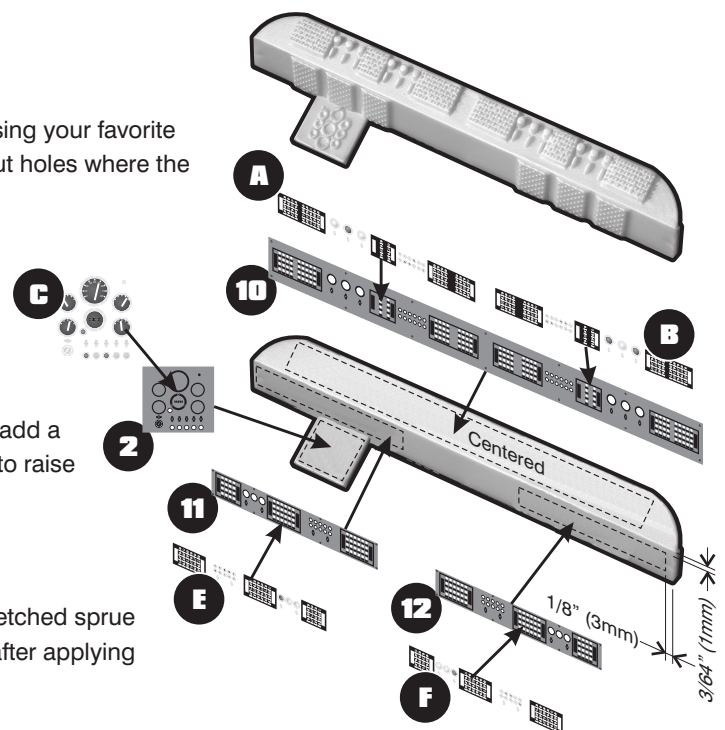
1

Photoetched part:

1

Decal:

A



## Scanner Base

Remove the detail from the surface of the scanner base (11). If you are lighting the dashboard, cut holes where the through holes in the etch will be located.

Attach the etch as shown.

## Scanner Display

Attach the scanner display (3) over the handle area of the kit scanner (16).

## Scanner "Antenna"

Assemble the pieces in the order shown. The tube (not numbered) is the included piece of 3/16" (4.7mm) diameter aluminum tube. Note that kit piece 17 has been reversed to provide the depth necessary for these parts. TIP: file off the mounting flange on part 17 to eliminate a seam that will have to be filled later.

### Über-Detailing 1

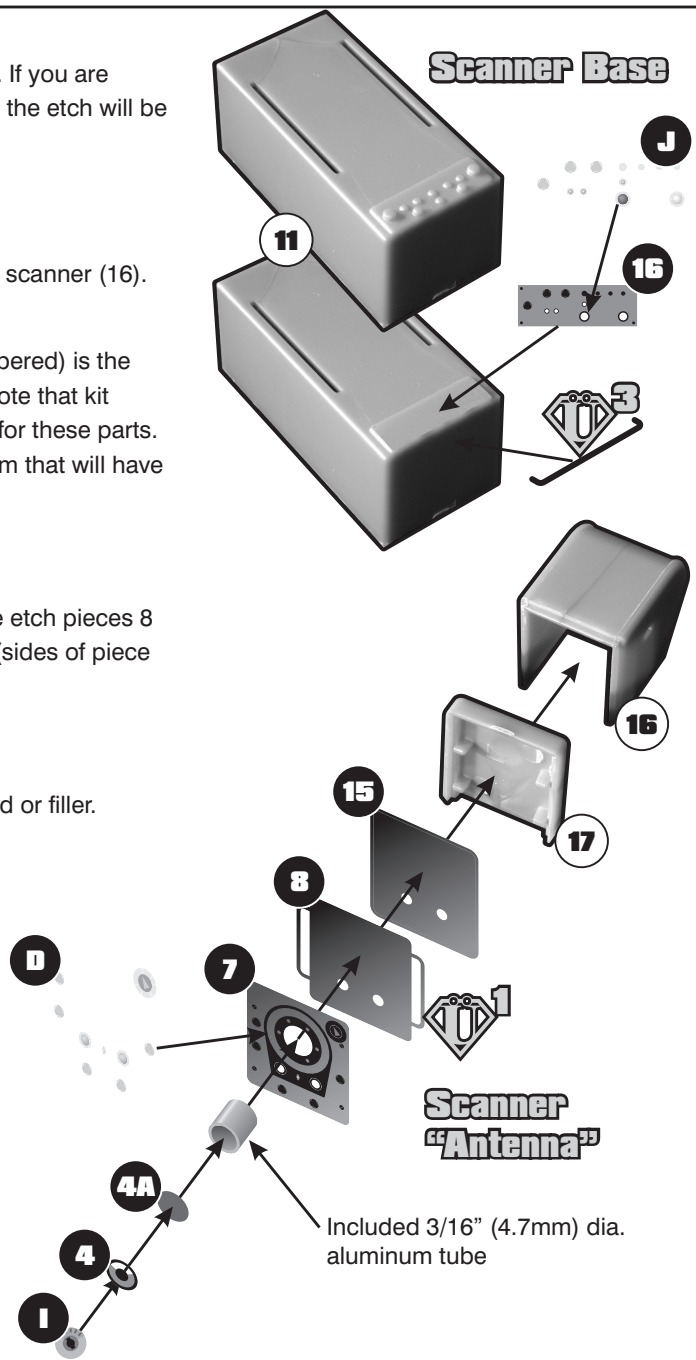
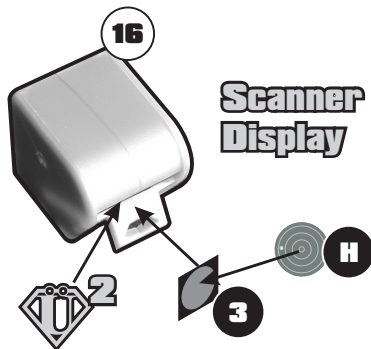
To make the scanner "antenna" even more accurate, replace etch pieces 8 and 15 with plastic card and fabricate replacement handles (sides of piece 8) from thin wire.

### Über-Detailing 2

Fill in the opening above the scanner display with plastic card or filler.

### Über-Detailing 3

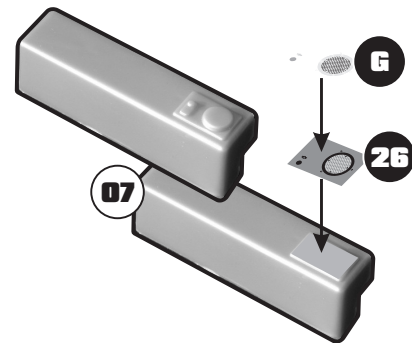
Add the grab handle to the back of the scanner base as shown. A heavy duty paperclip is about the right diameter.



## Radio

Remove the detail from the armrest (07). Note that the speaker is not lit - do not create a hole in the kit plastic.

Attach the etch as shown.



## Part 2 - Exterior

### Radiator Grills

The grills (17 & 18) can be mounted either directly onto the kit surface or the molded in grills can be cut out to provide extra depth - you can then place some details from your spare parts box behind them or just box in some plastic card.

Note that these grills are not lit.

#### Surface Mounting

If you surface mount the grills, you might want to sand the raised kit grills off, or fill them with putty. Also, please see the image to the right showing how to trim the mounting tabs off of piece 18.

#### Removing Kit Grills

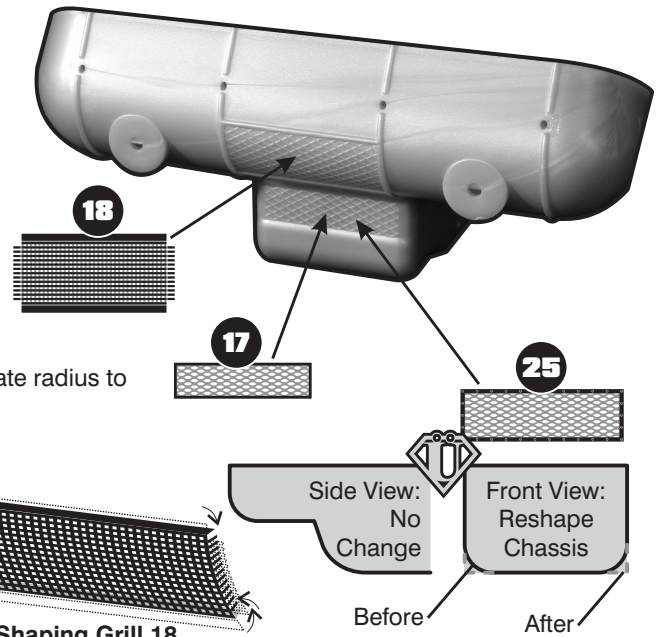
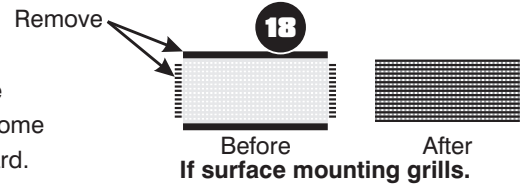
If cutting out the holes, the hole for each piece 17 should be slightly smaller than the etch so that the piece can be mounted on the surface.

Fold piece 18 as shown and then carefully bend to the appropriate radius to match the kit's curvature.

### Über-Detailing

Square off the lower hull piece as shown with plastic card and use grill 25. This more accurately reflects the profile of the actual set piece.

Note curve to match body shape



### Front Mounting Points

File off the raised ridges on the back side of the dish antenna (20) and attach the four girders (23) in their place.

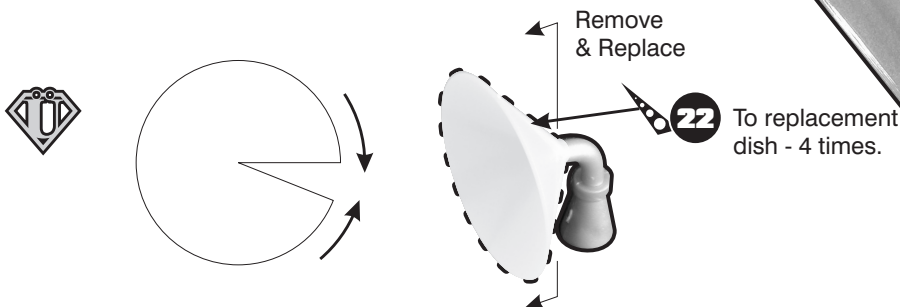
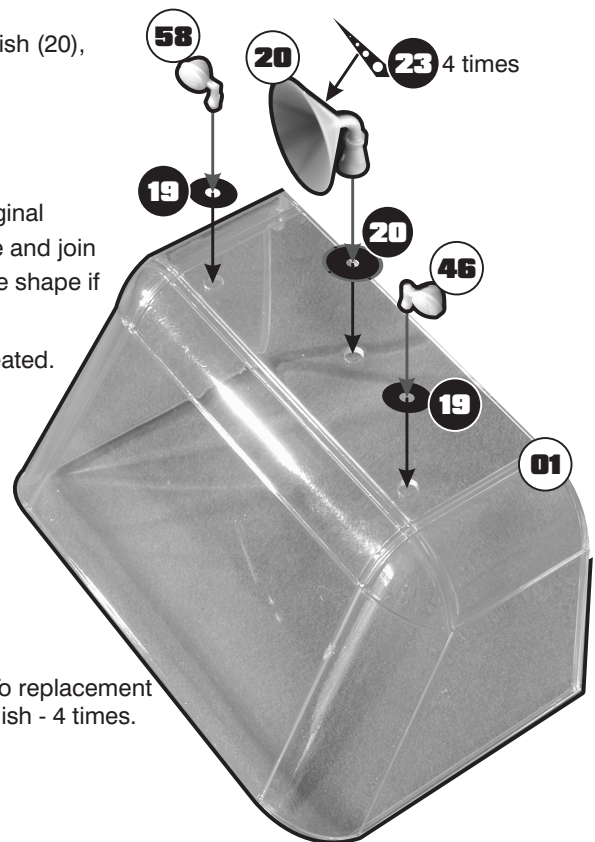
Attach add the mounting plates (19 & 20) before attaching the radar dish (20), lights (58 & 46) and handles (48, not shown) per the kit instructions.

### Über-Detailing

The dish antenna is too deep a profile. To more properly mimic the original antenna, cut the pie shape below from roughly 0.03" (0.75mm) styrene and join the radial edges to form the dish shape. (Feel free to photocopy the pie shape if you don't want to cut up these instructions.)

Cut the kit antenna from its mounting arm and attach the piece just created. It a small hole through the center of the new dish into the mount and tall kit piece 49. Mount the four Über girders (22) at the four 90° locations.

You may consider rebuilding the antenna mount to include an "accordion" style joint between the conical base and the antenna.

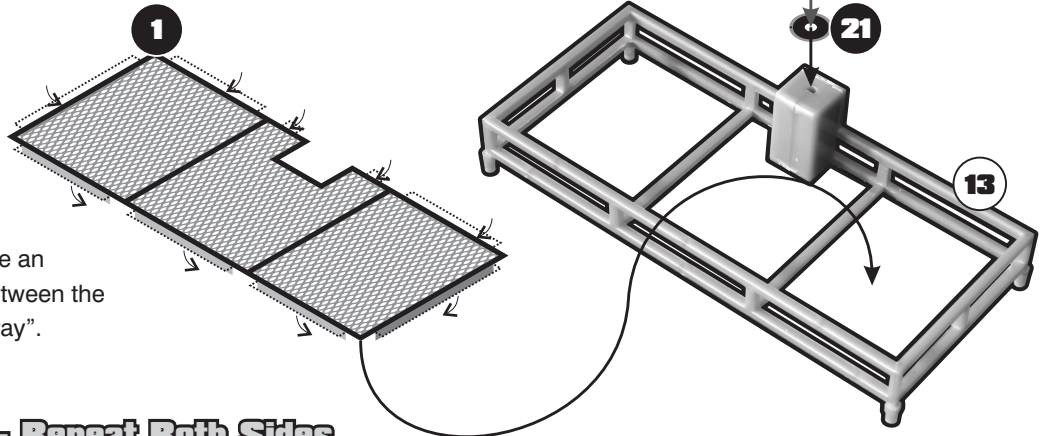


## Cargo Deck

Fold and install the cargo deck (1) as shown - adhere the turned down "mounting plates" to the inside edge of the lower square tubing. Place the mounting plate (21) as shown and install the solar batteries (21) per the kit instructions.

### Über-Detailing

You may consider rebuilding the solar batteries mount to include an "accordion" style joint between the conical base and the "array".

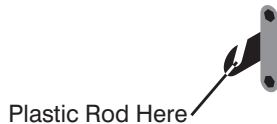


## Ladder Mounts - Repeat Both Sides

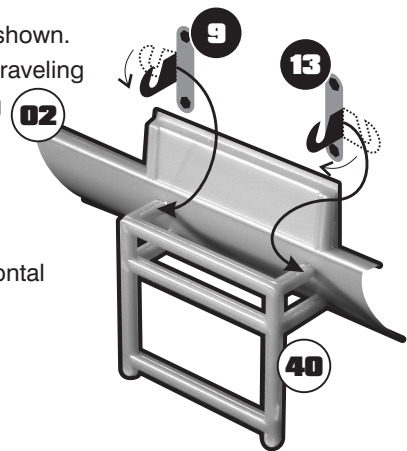
Fold and install the ladder mounts (9 and 13) to the inside edges of the ladders as shown. These pieces may also be installed without the ladders to display the Chariot in its traveling configuration. (Don't forget to fill the mounting holes in the hull if doing the traveling configuration.)

### Über-Detailing

Add a small diameter piece of plastic rod or stretched sprue between the two horizontal pieces of the ladder. Locate the rod/sprue at the bottom of the photoetched hooks.



Plastic Rod Here

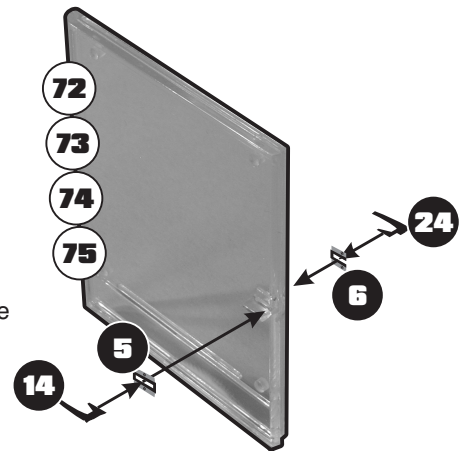


## Door Handles - Repeat Four Times

Carefully remove the molded in door handle on the outside of each door. Attach the handles and mounting plates (5 & 14 outside, 6 & 24 outside) to each door.

### Über-Detailing

Instead of using etch parts 6 and 24 inside the doors, add a small piece of styrene card to the inside of the door to match the raised door handle plate on the outside. Now use the extra etch parts 5 & 14 for the inside handles.



**PGMS**  
**ParaGrafix**  
**Modeling Systems**

148 Rocklawn Ave.  
Attleboro MA 02703 USA  
+1 508-431-9800  
www.ParaGrafix.biz

**LOST**  
**IN**  
**SPACE**

THE FANTASY WORLDS  
OF IRWIN ALLEN

**MOEBIUS**

"Lost in Space"® is © Space Productions, Inc. Licensed by Synthesis Entertainment. All Rights Reserved.  
"The Fantasy Worlds of Irwin Allen"® is a registered trademark of Synthesis Entertainment. All Rights Reserved.  
"Moebius"® is a registered trademark of Moebius Models. All Rights Reserved.  
ParaGrafix™ is a trademark of Paul H. Bodensiek dba ParaGrafix. All Rights Reserved.