

JUPITER 2™ Hero Landing Gear

PGMS™
ParaGrafix™
Modeling Systems
Instructions V1.2



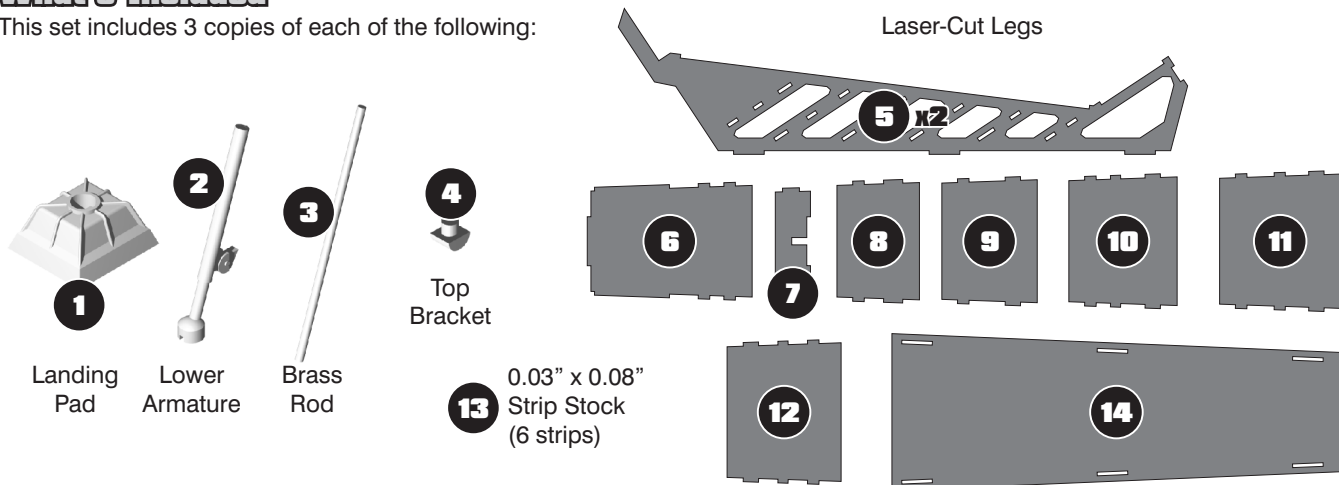
INTRODUCTION

Thank you for purchasing ParaGrafix's landing gear set for the Moebius Models Jupiter 2 kit. This set will help you replicate the landing gear as seen on the 4' "hero" filming miniature, as opposed to the kit supplied gear which matches the full-sized set.

Please note that these instructions are for the second generation ("rev1") version of this kit, which has loose, acrylic laser cut leg pieces (with the extra tabs at the top of parts 5) and resin landing pads. In general, these instructions will work with the first generation kit.

What's Included

This set includes 3 copies of each of the following:



Required Materials

In addition to the set pieces, you will need standard hobby tools.

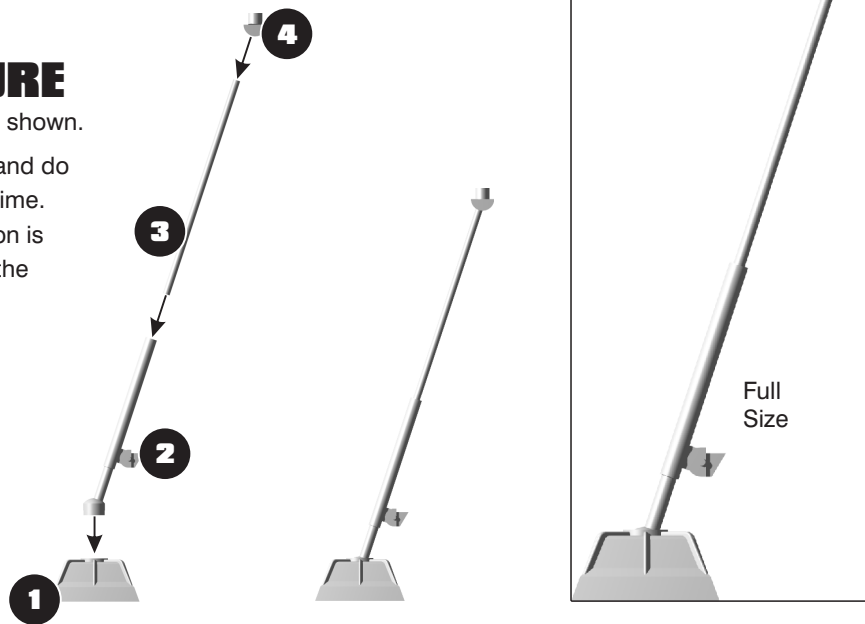
Use a solvent adhesive, such as Abroid Pro Weld to fit the laser-cut landing legs together, and adhere them to the Jupiter 2.

Use cyanoacrylate (CA, "super glue") adhesive or epoxy cement to mount the metal parts to the landing legs, and the top bracket to the Jupiter 2.

ASSEMBLE ARMATURE

Assemble the three armature assemblies as shown.

TIP: Assemble 1 & 2 separately from 3 & 4 and do not put the two assemblies together at this time. Attach assembly 3/4 after the "ladder" portion is mounted to the ship and 1/2 is mounted to the "ladder" portion.



Key

Kit part (plastic): **1**

Accessory part: **1**

Assembly & Installation

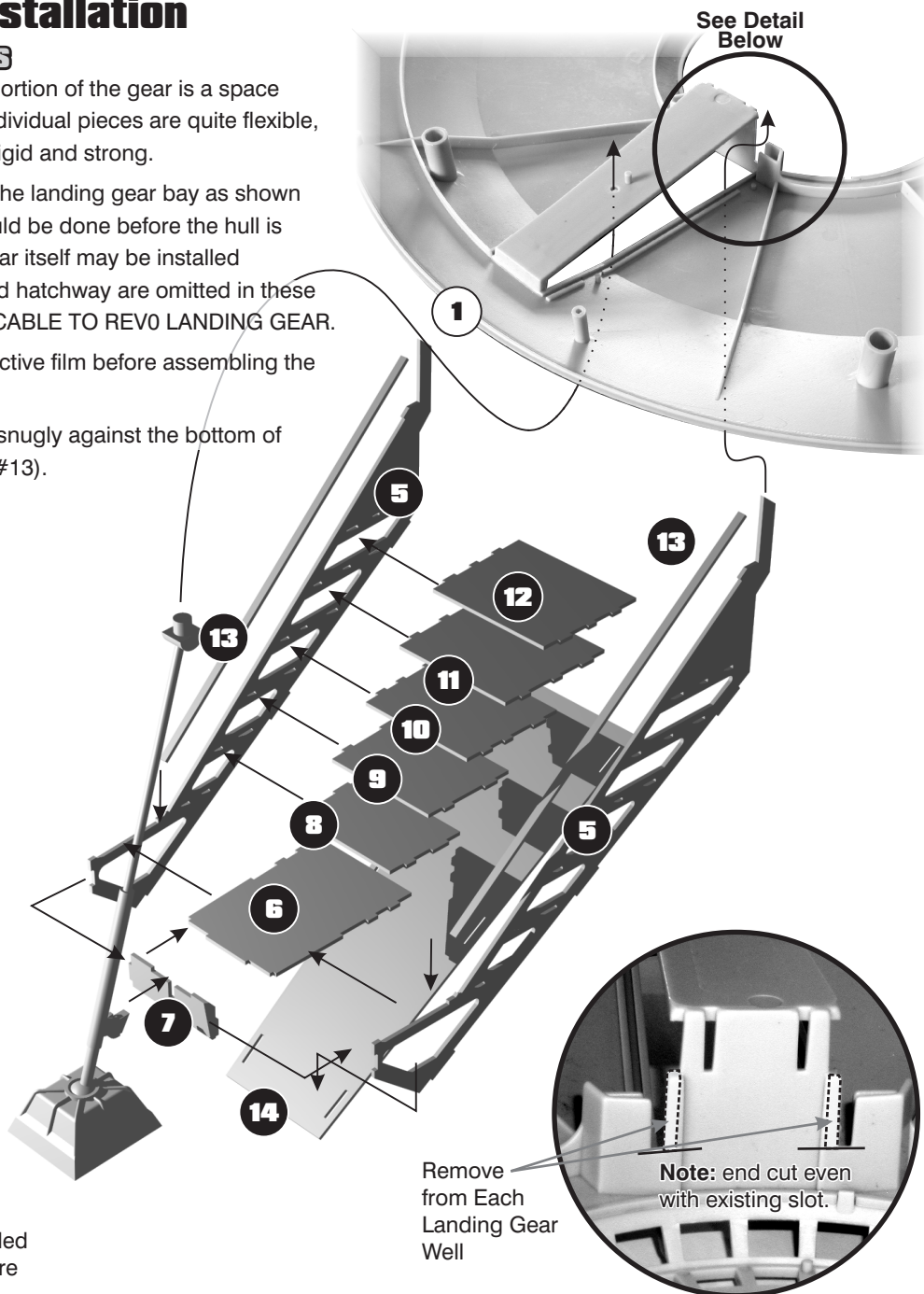
Repeat Three Times

Please note that the "ladder" portion of the gear is a space frame design - although the individual pieces are quite flexible, the finished unit is amazingly rigid and strong.

Widen the two rear cutouts in the landing gear bay as shown below. Note that this step should be done before the hull is assembled, but the landing gear itself may be installed afterwards. (Gear sidewalls and hatchway are omitted in these figures for clarity.) NOT APPLICABLE TO REV0 LANDING GEAR.

If applicable, remove the protective film before assembling the ladder portion of the gear.

The upper step (12) should fit snugly against the bottom of the access hatchway (kit part #13).



Assembled Armature

Remove from Each Landing Gear Well

Note: end cut even with existing slot.

Thank you to Frank Winspur and Dave Metzner of Moebius Models for providing copies of their test shot to aid in the development of this accessory kit.

Thank you to Kevin Burns of Synthesis Entertainment for "green lighting" this project.

Special thanks to Ron Gross for proposing this product, his aid in the design and fabrication of this set, and of course his fantastic packaging illustration.

PGMS
ParaGrafix
Modeling Systems

LOST IN SPACE

THE FANTASY WORLDS
OF IRWIN ALLEN

MOEBIUS

148 Rocklawn Ave.
Attleboro MA 02703 USA
+1 508-431-9800
www.ParaGrafix.biz

"Lost in Space"® is © Space Productions, Inc. Licensed by Synthesis Entertainment. All Rights Reserved.
"The Fantasy Worlds of Irwin Allen"® is a registered trademark of Synthesis Entertainment. All Rights Reserved.
"Moebius"® is a registered trademark of Moebius Models. All Rights Reserved.
ParaGrafix™ is a trademark of Paul H. Bodensiek dba ParaGrafix. All Rights Reserved.