

# JUPITER 2™

## Decals for Stock Interior

**PGMS™**  
**ParaGrafix™**  
**Modeling Systems**  
 Instructions: PGX122 V1.0



### INTRODUCTION

Thank you for purchasing ParaGrafix's decal set for the Moebius Models 1:35 scale Jupiter 2 kit. These decals, expertly printed by JT Graphics (jt-graphics.com), eliminate the need to paint all of the buttons, switches, and display screens located throughout the interior.

### Raised Detail

There are notes indicating those areas where raised kit detail should be knocked down or reduced in height to allow the decals to fit better. You can ignore these notations if you wish, but there will be some wrinkling, misalignment, or other problem. This may be done in whatever way you are most comfortable: sanding, filing, chiseling. These areas are denoted by this symbol:

You may also find it easier to cut some decals into sections to make placing them easier.

### Installation Parts Order

The installation order is entirely up to you. For best results, paint and apply decals before assembling the interior. A setting solution (e.g., Micro Sol) will help the decals conform to the kit.

Please read JT Graphics' decal instructions on the back page.

### Key

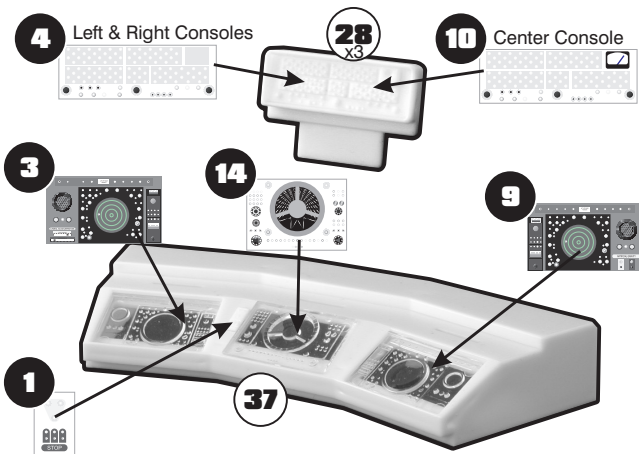
Kit part (plastic):



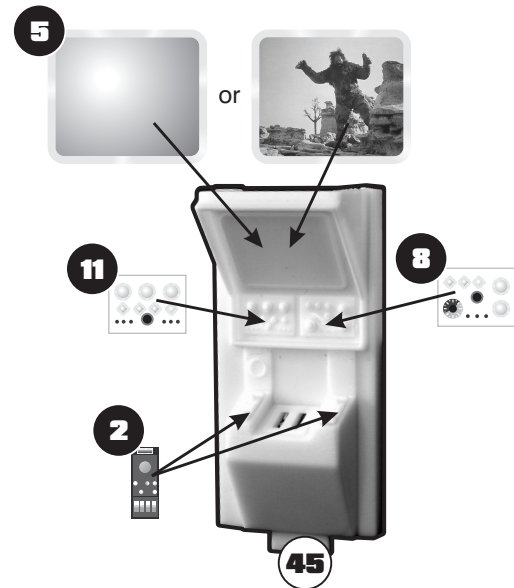
Decal:



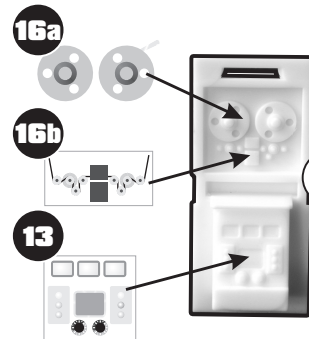
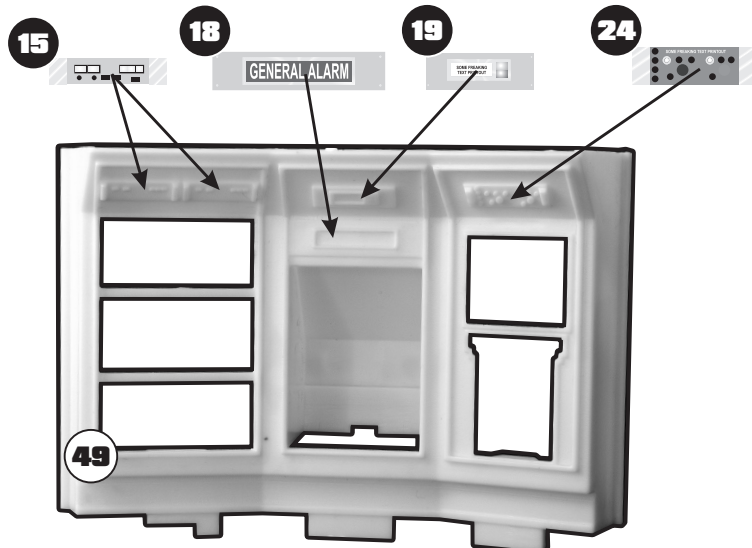
### Piloting Station



### Communications Station

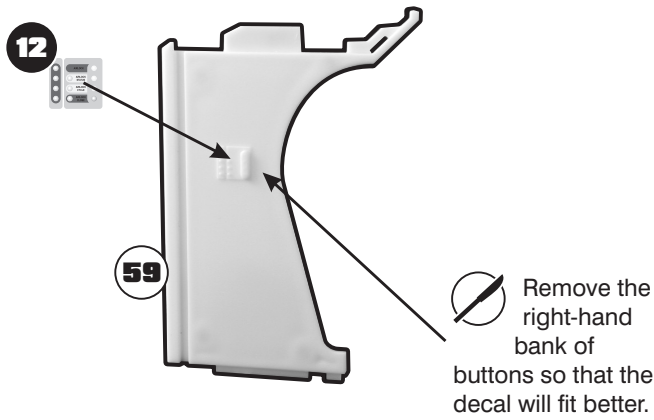


### Computer / Circuitry Wall

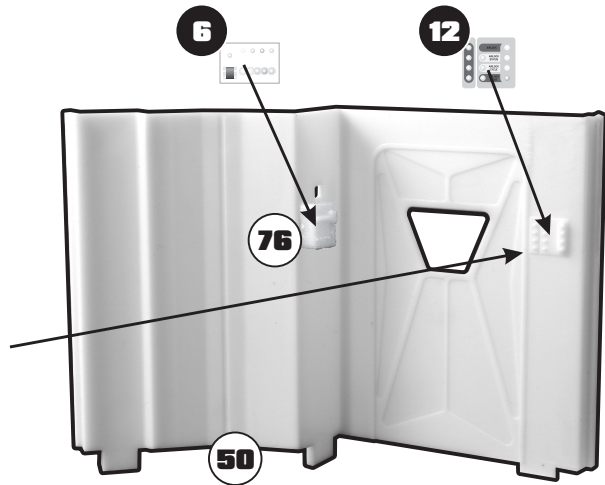


Knock down the high points of this part - tape reels, center blocks below reels, buttons on lower console.

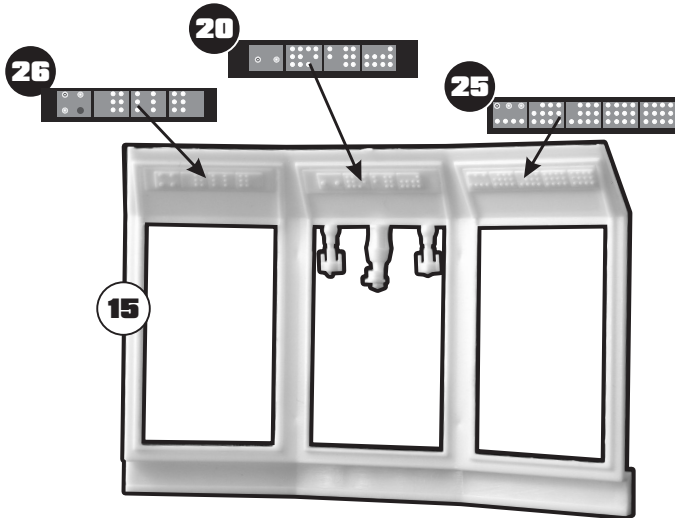
## Airlock Controls



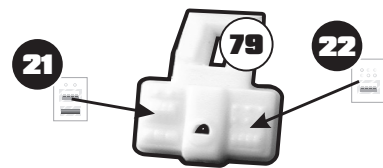
## Pod Access Wall



## Freezing Tube Walls Repeat Three Times

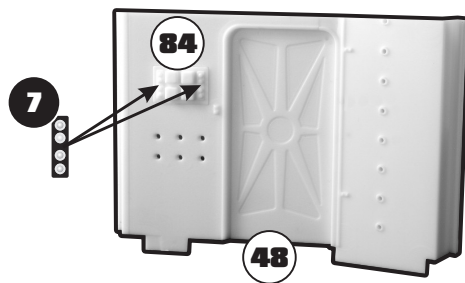


## Piloting / Astrogation

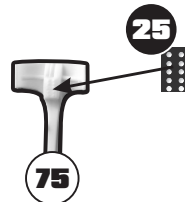


Add your choice of displays on the astrogation station. Note that the piloting controls "wedge" does not have a display.

## Ladder Wall



## Elevator Controls



**PGMS**  
**ParaGrafix**  
**Modeling Systems**

148 Rocklawn Ave.  
Attleboro MA 02703 USA  
+1 508-431-9800  
[www.ParaGrafix.biz](http://www.ParaGrafix.biz)

\*Lost in Space® is © Space Productions, Inc. Licensed by Synthesis Entertainment. All Rights Reserved.  
\*The Fantasy Worlds of Irwin Allen® is a registered trademark of Synthesis Entertainment. All Rights Reserved.  
Moebius® is a registered trademark of Moebius Models.  
ParaGrafix™ and PGMS™ are TM Paul H. Bodensiek. All Rights Reserved.

**LOST  
IN  
SPACE®**



Thank you to Frank Winspur and Dave Metzner of Moebius Models for making such a great kit, for their help and encouragement during the development of this add-on set, and for providing a test shot of the kit prior to its release.

THE FANTASY WORLDS  
OF IRWIN ALLEN®