

MY FAVORITE MARTIAN®

Uncle Martin's Spaceship Photoetch Set



PGMS
ParaGrafix™
Modeling Systems

INTRODUCTION

Thank you for purchasing ParaGrafix's photoetch set for Pegasus Hobbies' spaceship from My Favorite Martian. This set is suitable for most modelers of moderate experience.

Tips and techniques are available on our website, www.ParaGrafix.biz, if you are unfamiliar with working with photoetch.

Materials

In addition to the photoetch, you will also need scissors or a knife* to remove individual pieces from the main fret, a file to remove material left from cutting, and super glue (aka CA or cyanoacrylate). Additionally, to fold some pieces, you will need a pair of razor blades** or a specialty tool such as an Etchmate 3C from Mission Models.

* We prefer a #17 Xacto chisel blade.

** Extreme care must be taken when using razor blades. Risk of serious injury.

Key

Kit part (plastic):

1

Photoetched part:

A

Back-Light Film:

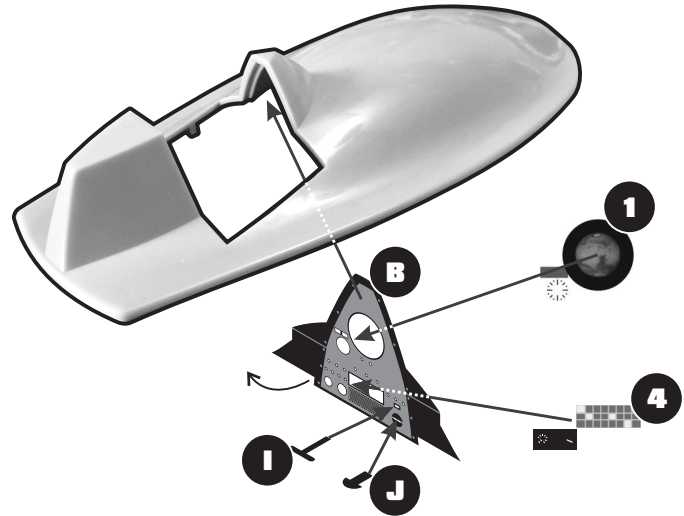
1

Control Console

TIP: You will likely find it easier to paint the console after bending it, but before installing it into the ship.

Slightly fold the bottom of control console B so that the bottom lower edges fit snug to the inside of the hull when installed. Install your choice of one of the eight main view screens (film #1) and lower display (film #4) and the key J and control yoke I.

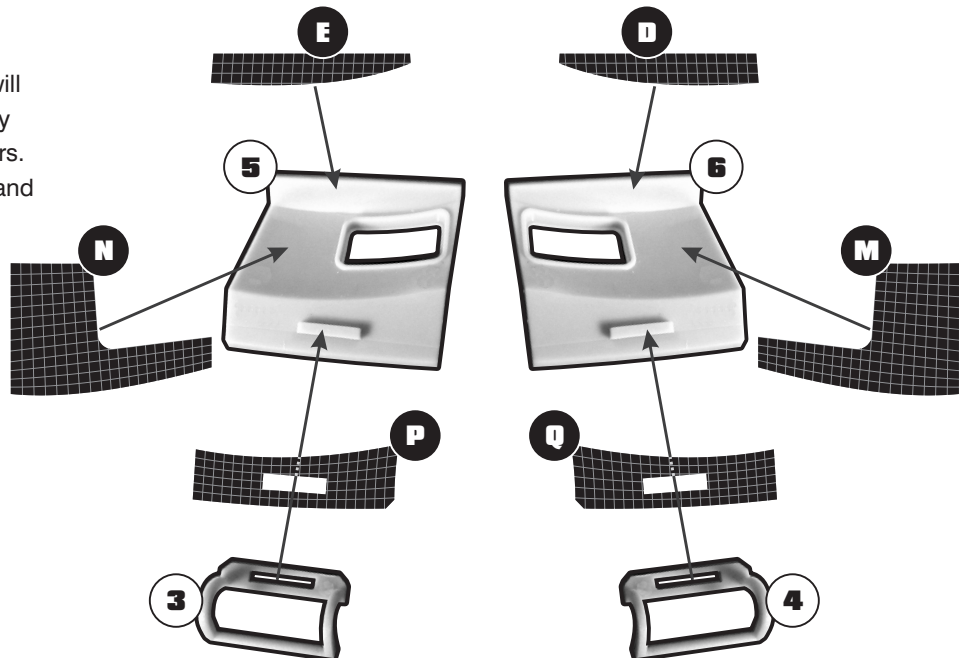
TIP: watch the episode "Martin's Favorite Martian" (season 2, episode 34) to hear Martin's instructions to Tim on the use and positioning of the control yoke.



Door Padding

Attach the padding as shown. You will want to slightly pre-bend N and M by squeezing them between your fingers. Also note that you need to install P and Q before the kit hinge parts 3 and 4.

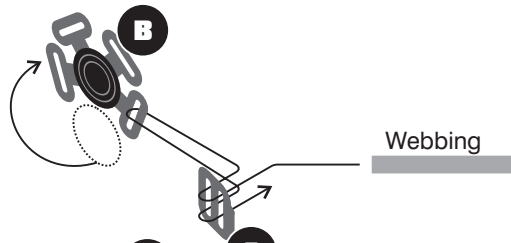
Note the notches on the corners of etch parts P and Q. Once in place, use a file to remove material from the inside edges of kit parts 5 and 6 to allow the doors to properly close over the folded portion of the control console.



Seat Belts

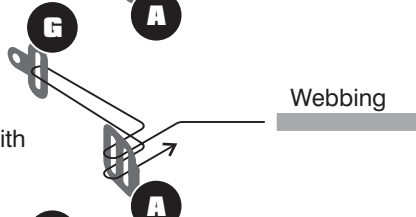
Connected

Fold part B as shown. Cut a 3 to 4 inch piece of webbing and thread each through parts A and B as shown (repeat 4 times).



Open

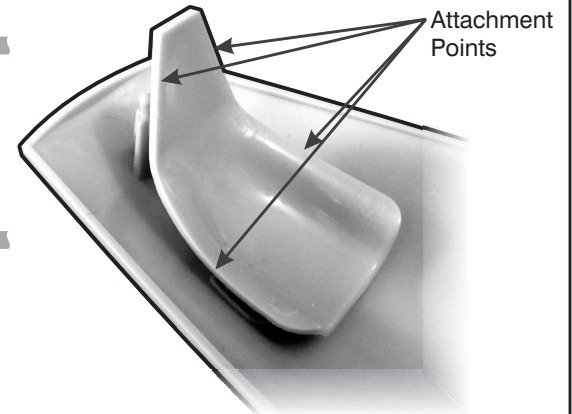
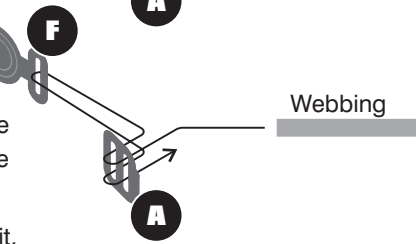
Cut a 3 to 4 inch piece of webbing and thread through parts A and G as shown (repeat 3 times). Do the same with parts F and G.



Common

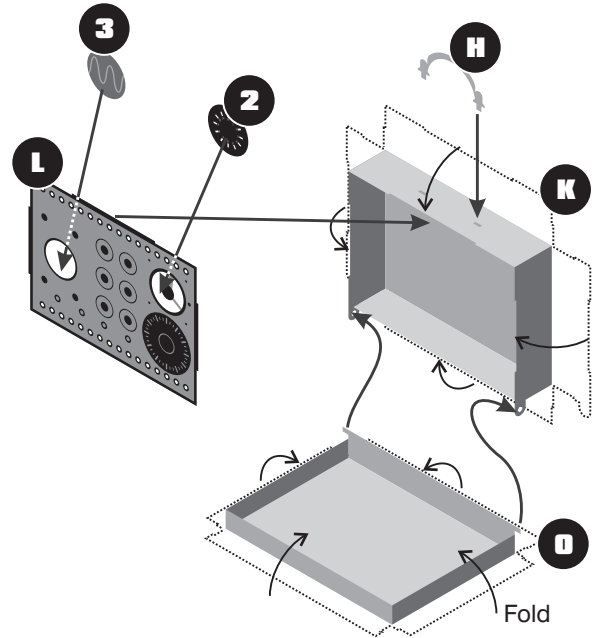
Connect the belts at approximately the locations shown (you will want to make a small notch in the seat for the upper belts so that they will not interfere with the fit of the upper fuselage).

Drape them as you desire, and trim to fit.



CCTBS - Cathode-ray Centrifugal Time Break-a-Scope

Fold etch parts K and O as shown, making sure to capture the hinge pins of O in the knuckle of part K. This will allow the case to open and close as it does on TV.



BONUS: Flight Log

TIP: Score along the fold line before cutting out to make folding easier. An empty ballpoint pen generally works well for scoring.

Simply cut out one and/or both copies of the flight and bend and the fold line to simulate an open book.



148 Rocklawn Ave.
Attleboro MA 02703 USA
+1 508-431-9800
www.ParaGrafix.biz

© 2011 The Contingent Trust of the Jack and Florence Chertok Trust dated October 22, 1990. ParaGrafix and PGMS are trademarks of Paul H. Bodensiek dba ParaGrafix.

